

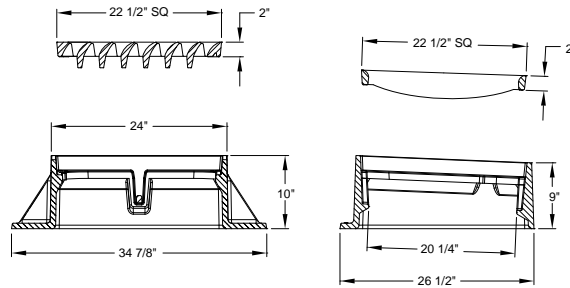
7535 CATCH BASIN CURB INLET

Heavy duty
 Approximate 220 sq. in. open area
 Designed for use along barrier wall
 Unit has ductile iron safety bar
 Double unit available — 7536
 Uses the 5425M2 Grate



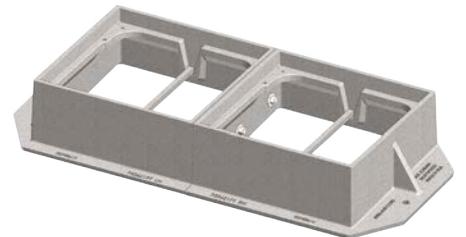
Illustrating 7535Z1PT bolted curb inlet assembly with 5425M2 vane grate and safety bar

7536Z frames with 7535M grates and safety bar

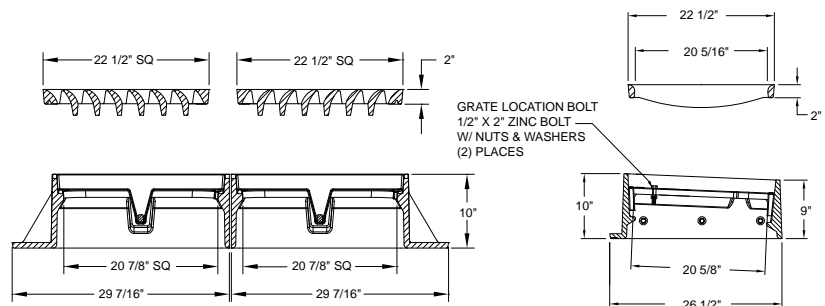


7536 CATCH BASIN CURB INLET

Heavy duty
 Multiple curb inlet
 Uses the 5425M2 grate
 Approximate 110 sq. in. open area



Illustrating safety bars in frame



Supplied By:



877-903-7246

www.trenchdrainsupply.com

